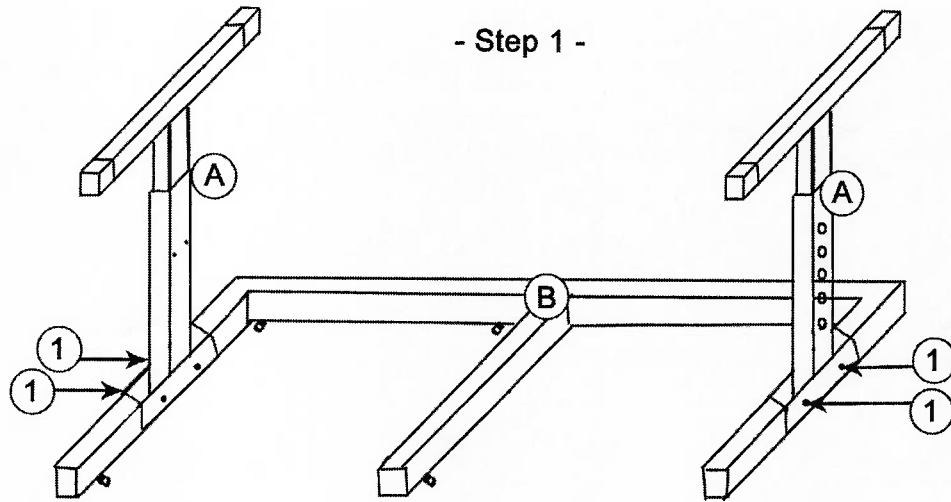


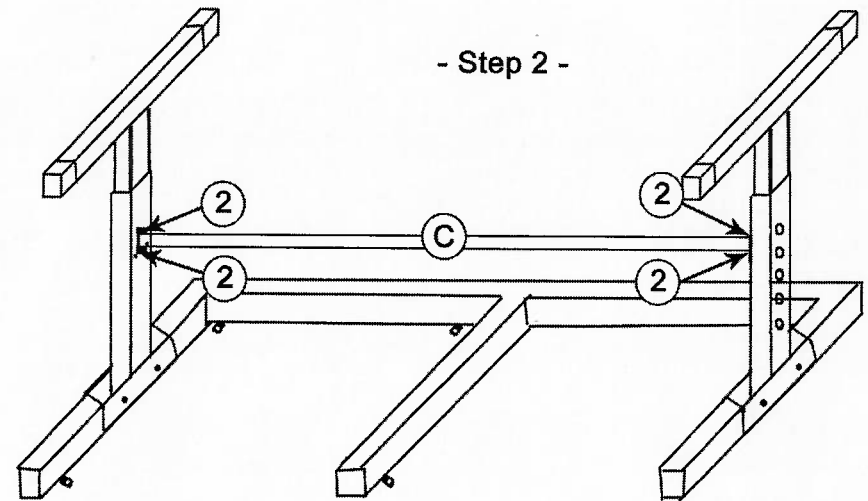
STUDIWELL TABLE (T-leg height adjustable) - ASSEMBLY INSTRUCTIONS (Page 1)

[1200x600x720(H/A)]

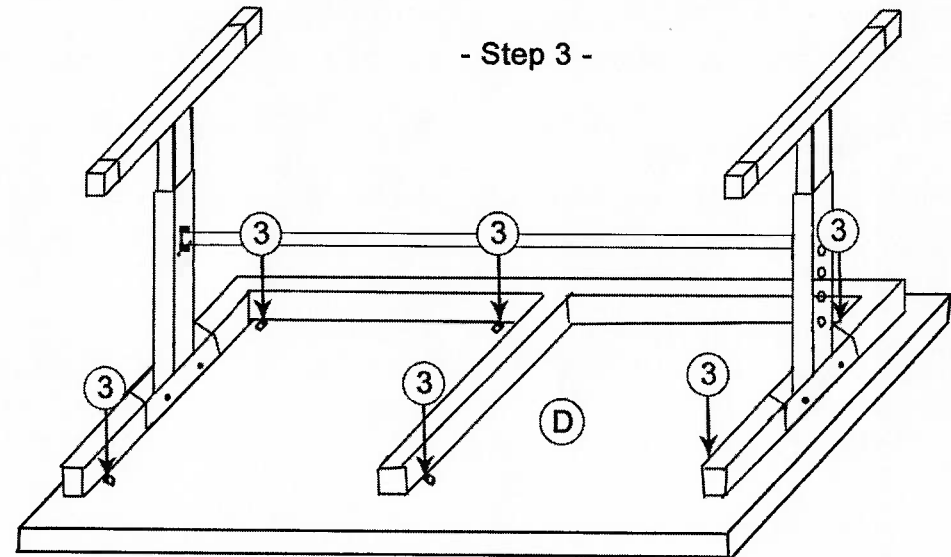
- Step 1 -







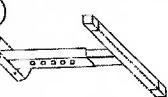





- Step 2 -



- Step 3 -



1	 4 x 40mm Bolt	C	 1 x Crossbar
2	 4 x 13mm Self-Tapping Screws	D	 1 x Table Top
3	 16x16mm Table Top Fastening Screws	E	 2 x Tote box Rail
A	 2 x T - Legs	F	 Tote Box
B	 1 x E - Frame	G	 Allen Key