

Early Learning Range

# Nordic Display



Model	Description	W	D	H
NOR005	Nordic Linea Display	1197	600	750



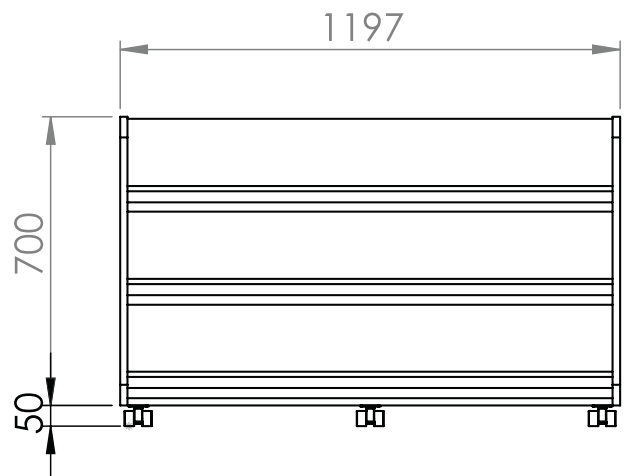
The Nordic Linea Display is a double-sided storage unit with sloped shelves, perfect for showcasing books and puzzles. Its mobile design keeps learning materials easily accessible.

**Material Option** - Available in sturdy 25mm birch plywood as standard or a laminated plywood option for a stylish and durable finish.

**Design** - Ideal for storytime setups, classroom organisation or creating cosy library corners.

**Lockable Castors** - Easy-roll, lockable castors make it simple to move around the room for flexible use.

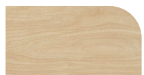
For more details or to enquire about specific configurations, visit the VE Furniture Nordic Display page.



## Finish Options

# Nordic Display

### Core Palette



**B-PLY**  
Birch Plywood

#### Standard Product Finish

This product is crafted from durable birch plywood offering a blend of natural strength and style for any learning space.

### Extended Palette

#### EO Laminate



**S-DKO**  
Dark Oak



**S-NTO**  
Natural Oak



**S-LTO**  
Light Oak



**L-WHT**  
White



**S-DNT**  
Dark Oak



**S-PND**  
Natural Oak

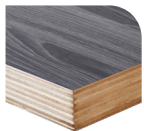


**S-BND**  
Light Oak



**S-GRY**  
White

#### Laminated Plywood



**L-DKO**  
Dark Oak



**L-NTO**  
Natural Oak



**L-LTO**  
Light Oak



**L-WHT**  
White

#### Want to specify a different laminate or timber?

No problem. We work with leading providers such as Laminex and Polytec and have access to their range of finishes.

